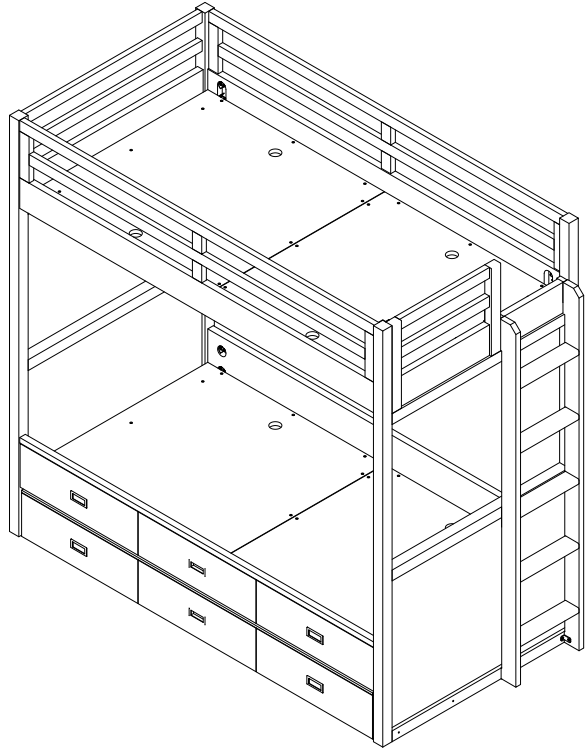


RH BABY & CHILD

AVALON BUNK BED TWIN OVER TWIN WITH TRUNDLE - ASSEMBLY INSTRUCTIONS



WARNING: Read all instructions before assembling this product. **KEEP INSTRUCTIONS FOR FUTURE USE.**



CUSTOMER SERVICE

If you are missing parts or have any questions about this product, contact us first. You can also order parts by writing to the address above. Include the product model number, color, and a brief description of the part.

Call 1-800-762-1751.

CARE AND CLEANING

DO NOT scratch or chip the finish. DO NOT use abrasive chemicals for cleaning. Dust often using a clean, soft, dry cloth. Blot spills immediately and wipe with a clean damp cloth. If the crib is to be stored, store in a cool dry place and carefully package all original hardware to protect from loss.

TOOLS AND INSTALLATION

Tools Necessary: Allen key (included)

Wrench (included)

Screwdriver (not included)

Note: It may be easier to assemble product with two people.

NOTE: When inserting bolts, turn clockwise until tight. Then loosen $\frac{1}{2}$ - $\frac{3}{4}$ of a turn. After bunks is completely assembled, return to each bolt and tighten. Use wax or soap on all bolts to facilitate assembly.

RHBABY&CHILD

AVALON BUNK BED TWIN OVER TWIN WITH TRUNDLE - ASSEMBLY INSTRUCTIONS

IMPORTANT SAFETY INFORMATION FOR BUNK BED

1. Follow the information on the WARNINGS appearing on the upper bunk end structure and on the carton.
2. Always use the specified size mattress, mattress support, or both to help prevent the likelihood of entrapment or falls.
3. Surface of mattress must be at least 5 inches below the upper edge of guardrails on top bunk.
4. Do not allow children under 6 years of age to use the upper bunk.
5. Prohibit more than one person on upper bunk.
6. Periodically check and ensure that the guardrails, ladder, and other components are in their proper position, free from damage, and that all connectors are tight.
7. Do not allow horseplay on or under the bed and prohibit jumping on the bed.
8. Always use the ladder for entering and leaving the upper bunk.
9. Do not use substitute parts. Contact Restoration Hardware for replacement parts.
10. Use of a night light may provide added safety precaution for a child using the upper bunk.
11. Use guardrails on both sides of the upper bunk.
12. If the bunk bed will be placed next to a wall, the guardrail that runs the full length of the bed should be placed against the wall to prevent entrapment between the bed and the wall.
13. The use of water flotation mattress is prohibited.
14. **STRANGULATION HAZARD** - Never attach or hang items to any part of the bunk bed that are not designed for use with the bed: for example, but not limited to, hooks, belts, and jump ropes
15. Keep these instructions for future reference.
16. **DO NOT** remove warning label from bed.



WARNING

TO HELP PREVENT SERIOUS OR FATAL INJURIES FROM ENTRAPMENT OR FALLS:

1. Never allow a child under 6 years on upper bunk.
2. Use mattress which is 38"W x 75"L x 7"H on Twin upper bunk, and 38"W x 75"L x 10"H on Twin lower bunk.
3. Ensure thickness of mattress does not exceed 7" and mattress is at least 5" below upper edge of guardrails.
4. Use guardrails on both sides of upper bunk.
5. Use ladder for entering and leaving upper bunk.
6. Prohibit horseplay on or under bed(s).
7. Prohibit more than one person on upper bunk.
8. If the bunk bed will be placed next to a wall the guardrails that run the full length of the bed .

STRANGULATION HAZARD

9. Never attach or hang items to any part of the bunk bed that are not designed for use with the bed; for example, but not limited to, hooks, belts, and jump ropes.

DO NOT REMOVE THIS LABEL

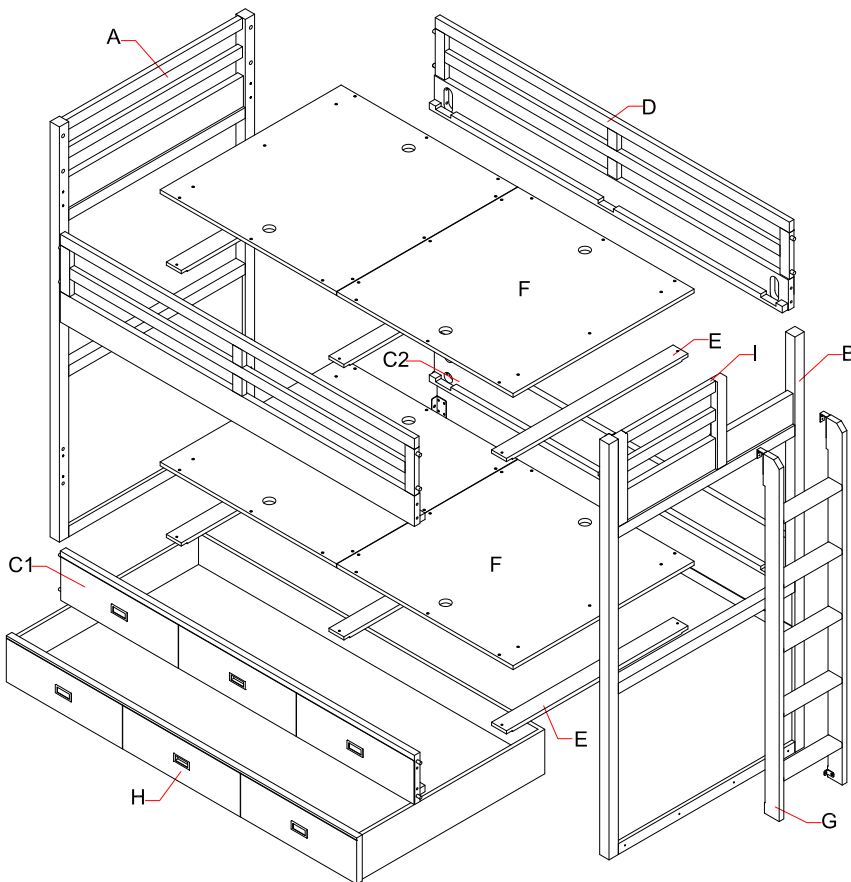
RH BABY & CHILD

AVALON BUNK BED TWIN OVER TWIN WITH TRUNDLE - ASSEMBLY INSTRUCTIONS

COMPONENT IDENTIFICATION AND HARDWARE

PARTS INCLUDED

- A [1] HEADBOARD
- B [1] FOOTBOARD
- C1 [1] LOWER SIDE RAIL #1
- C2 [1] LOWER SIDE RAIL #2
- D [2] UPPER SIDE RAILS
- E [6] BED SLATS
- F [4] PLATFORM PANELS
- G [1] LADDER
- H [1] TRUNDLE
- I [1] GUARD RAIL



HARDWARE FOR UPPER SIDE RAILS & LOWER SIDE RAILS

NO.	ITEM	DESCRIPTION	QTY.
1		Threaded Rod	16 pcs.
2		Curved Washer	16 pcs.
3		Lock Washer	16 pcs.
4		Hex Nut	16 pcs.
5		Wrench	1 pc.

HARDWARE FOR LOWER SIDE RAILS

NO.	ITEM	DESCRIPTION	QTY.
6		Allen Bolt	2 pcs.
7		Lock Washer	2 pcs.
8		Plain Washer	2 pcs.
9		Allen Key	1 pc.

HARDWARE FOR SLATS, PLATFORM PANELS & LADDER

NO.	ITEM	DESCRIPTION	QTY.
10		Round Head Screw (M4 x 25mm)	60 pcs.
11		Flat Head Phillips Screw (M4 x 20mm)	12 pcs.
12		Metal Bracket	1 pc.

TOOLS REQUIRED (NOT PROVIDED)

NO.	ITEM	DESCRIPTION	QTY.
13		Phillips Screwdriver (Not provided)	1 pc.

RH BABY & CHILD

AVALON BUNK BED TWIN OVER TWIN WITH TRUNDLE - ASSEMBLY INSTRUCTIONS

IMPORTANT

These bed parts can be cumbersome and heavy, therefore the assistance of two or more people is recommended in order to prevent personal injury and ensure the bed parts are not damaged during the assembly process.

ASSEMBLY INSTRUCTIONS

1. Lay the headboard (A) and footboard (B) on a flat surface.
2. Attach the Guard rail (I) to the footboard (B). Refer to FIGURE 1 & 2.
3. Attach the threaded rods (1) into the fixed nuts in the post of the headboard/footboard by turning them manually. See FIGURE 3 and FIGURE 4.

NOTE: The Guard rail can be installed at either end of the Headboard or Footboard depending on your desired ladder location. When Guard rail (I) install into the left of the Footboard, refer to option A & B. In the opposite way, the guard rail will install into the right of the Footboard, refer to option C & D.

FIGURE 1

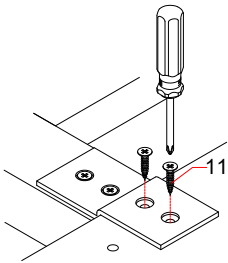


FIGURE 2

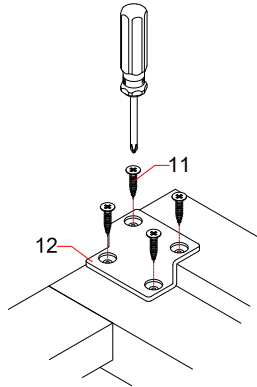


FIGURE 3

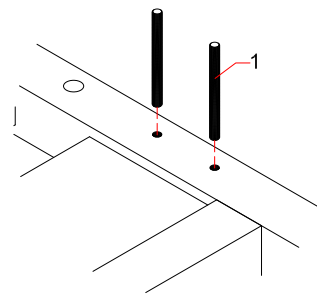
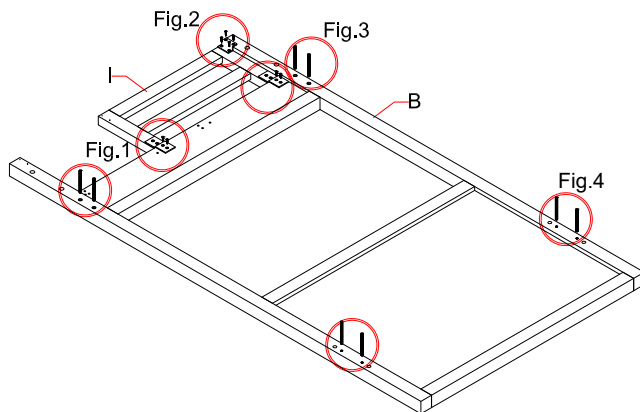
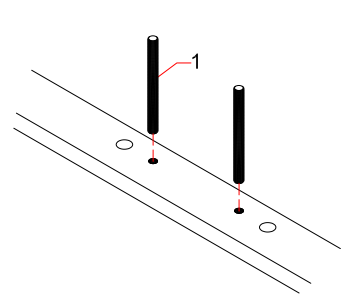
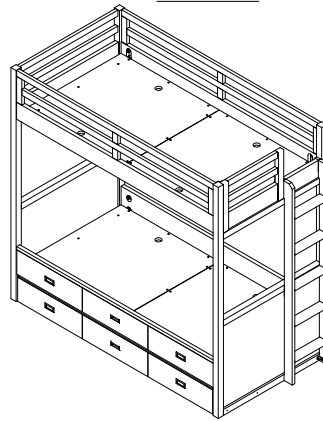


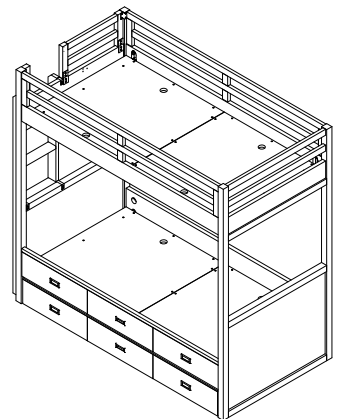
FIGURE 4



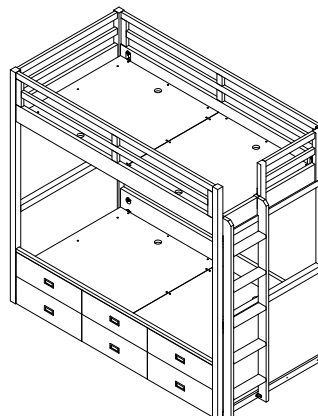
OPTION A



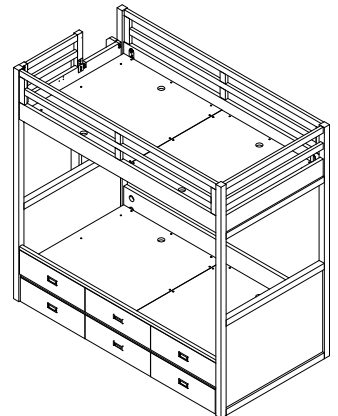
OPTION B



OPTION C



OPTION D



RHBABY&CHILD

AVALON BUNK BED TWIN OVER TWIN WITH TRUNDLE - ASSEMBLY INSTRUCTIONS

4. Hold the headboard (A) upright in the position you wish the bed to be in when fully assembled.
5. Align the threaded rods (1) on the headboard to the bore holes in the end of the lower side rail (C1). Push the lower side rail up against the headboard. On the other end of the lower side rail, insert honeycomb (total thickness is approximately 230mm) to level the lower side rail. You may use honeycomb from packing material. The combination of 2 layers honeycomb 90thk and 1 layer honeycomb 50thk is recommended.
6. Install the hex nuts (4), curved washers (2) and the lock washers (3) on the threaded rods (1) to secure the lower side rail to the headboard. See FIGURE 5-A.
7. Repeat step 5 to attach the lower side rail #2 (C2) to the headboard. Then, insert Allen bolt (6), lock washer (7), flat washer (8) as illustrated in FIGURE 5-B.
8. Attach the upper side rails (D) to the headboard as per illustration in FIGURE 6. KEEP HOLDING THE UPPER SIDE RAILS WHILE DOING NEXT STEP.

FIGURE 5-A

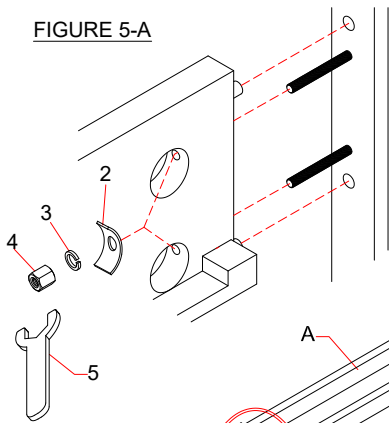


FIGURE 5-B

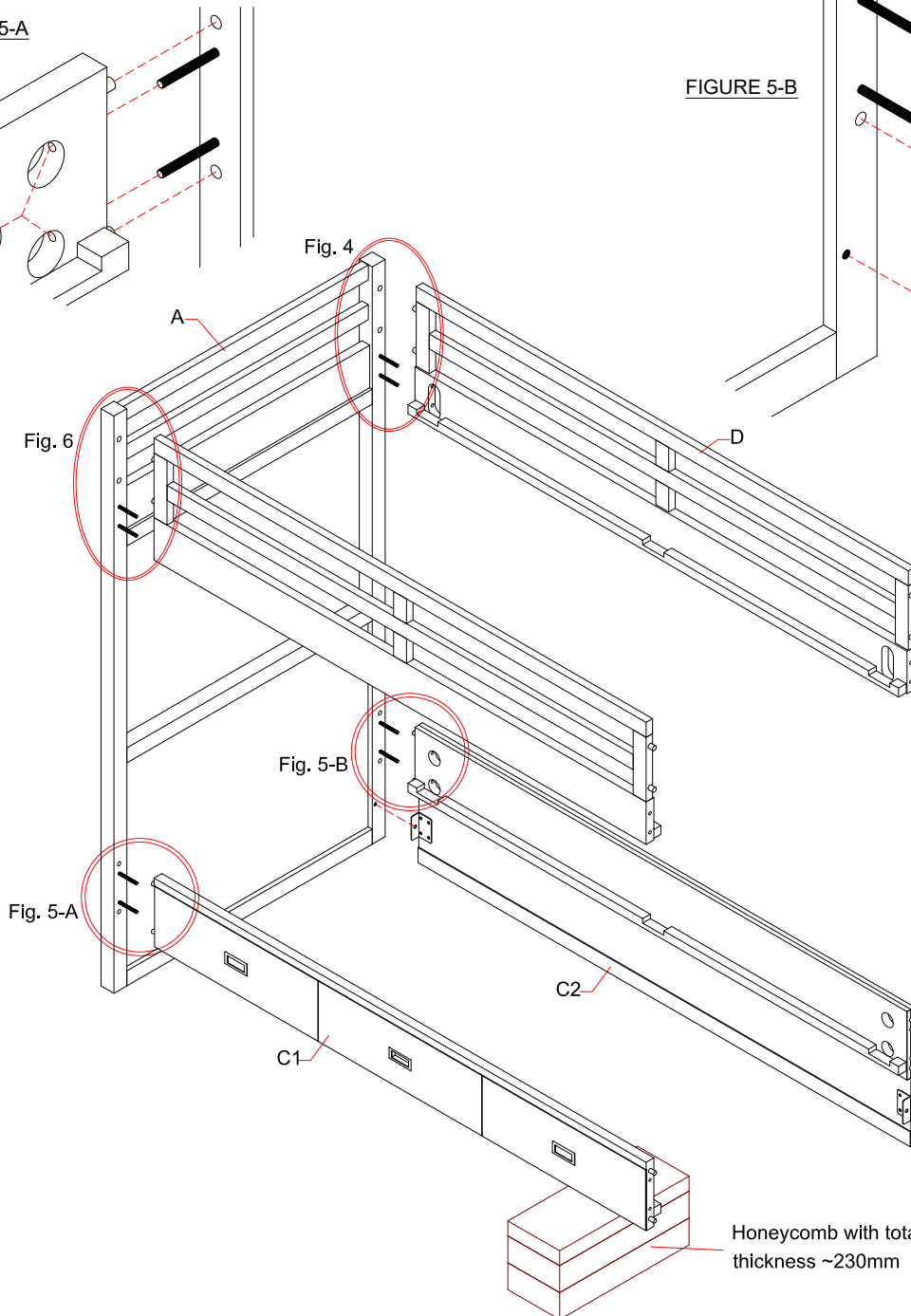
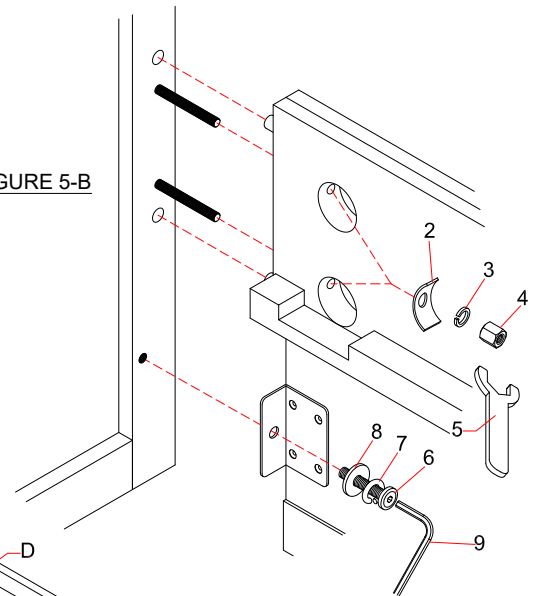
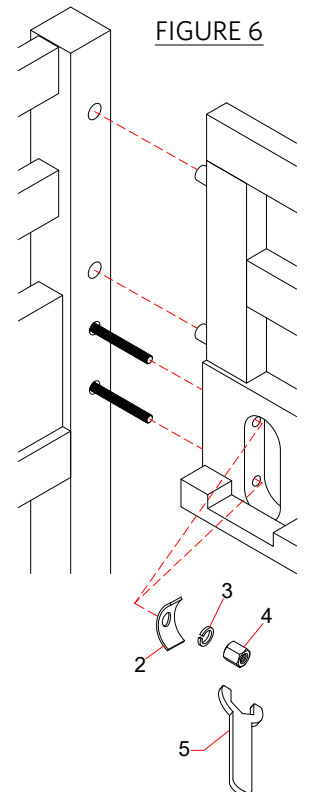


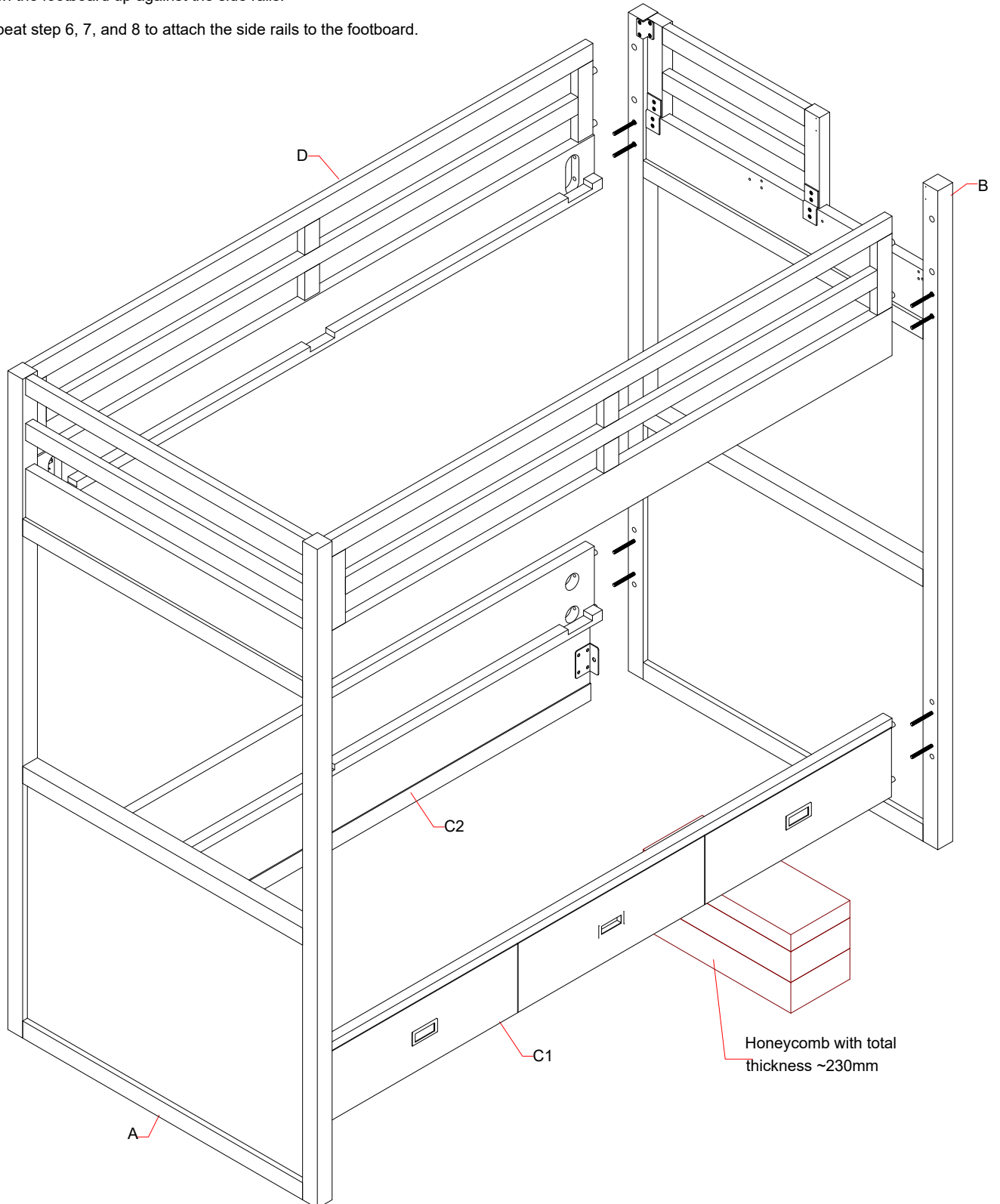
FIGURE 6



RH BABY & CHILD

AVALON BUNK BED TWIN OVER TWIN WITH TRUNDLE - ASSEMBLY INSTRUCTIONS

- Align the threaded rods (1) on the footboard (B) to the corresponding holes in the end of the lower side rails (C1&C2) and the upper side rails (D). Push the footboard up against the side rails.
- Repeat step 6, 7, and 8 to attach the side rails to the footboard.



RH BABY & CHILD

AVALON BUNK BED TWIN OVER TWIN WITH TRUNDLE - ASSEMBLY INSTRUCTIONS

11. Set the bed slats (E) on the slat holders of the lower side rails (C) and the upper side rails (D). Secure each slat by using screw (10) provided. See FIGURE 7.
12. Place the platform panels (F) on the lower bunk and the upper bunk, then fix them with screws (10). See FIGURE 8.

FIGURE 7

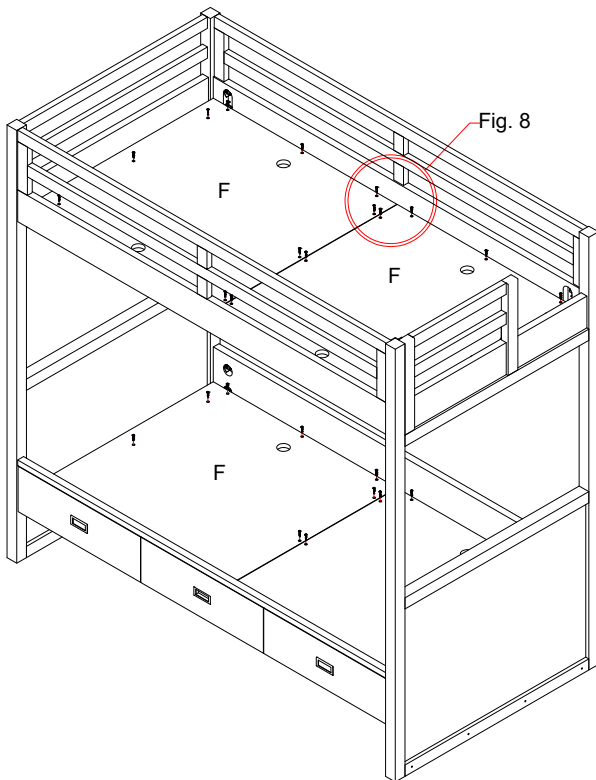
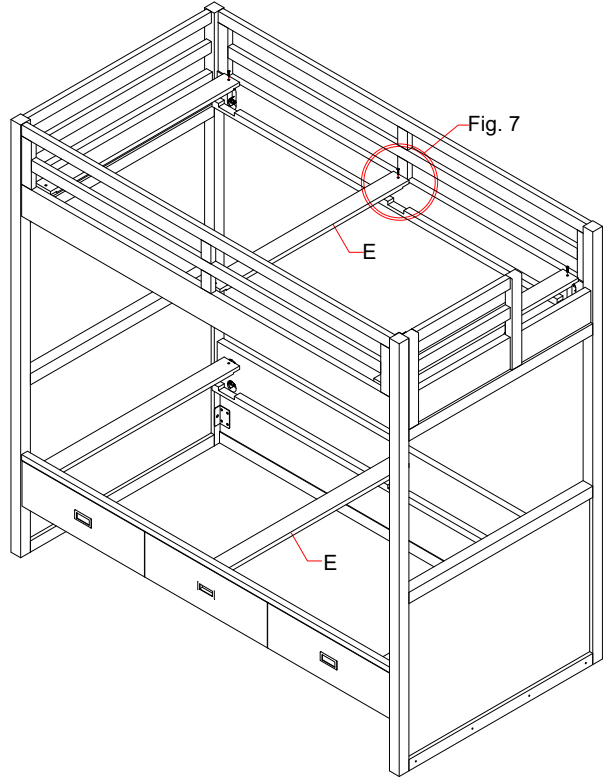
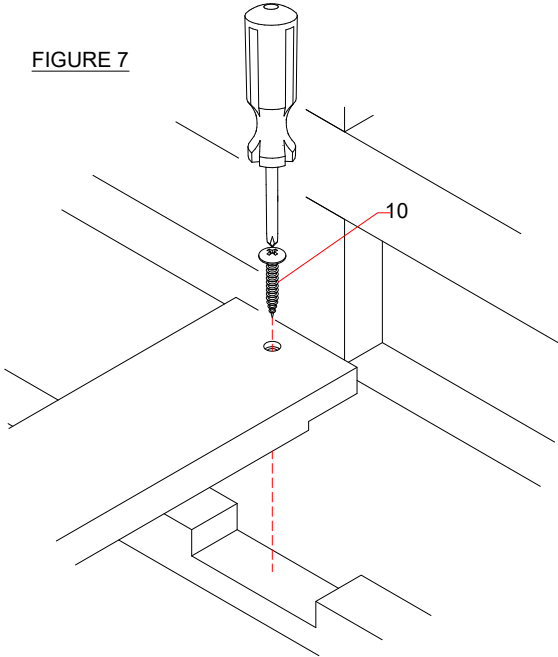
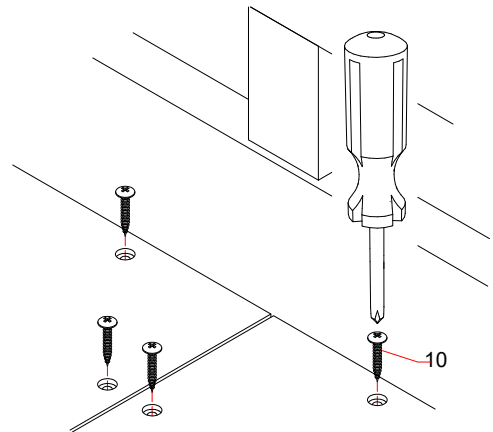


FIGURE 8



RHBABY&CHILD

AVALON BUNK BED TWIN OVER TWIN WITH TRUNDLE - ASSEMBLY INSTRUCTIONS

- Hook the ladder (G) on the footboard then secure it with screws (11) as per illustration in FIGURE 9 and FIGURE 10.
- Slide the trundle (H) underneath the bunk bed as in FIGURE 11. Assembly is complete.

FIGURE 9

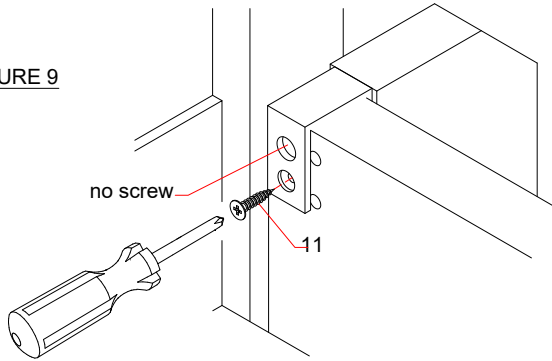


FIGURE 10

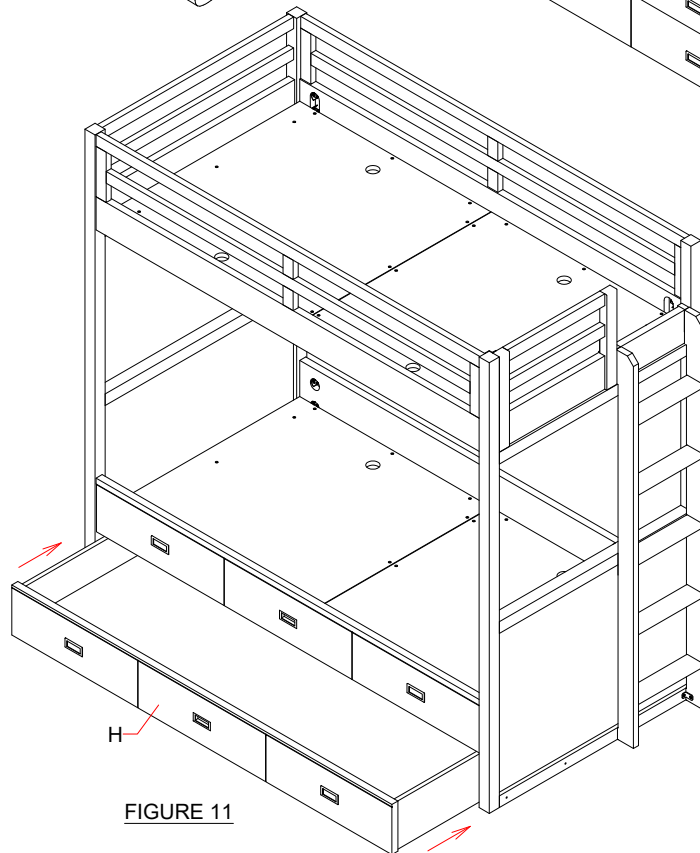
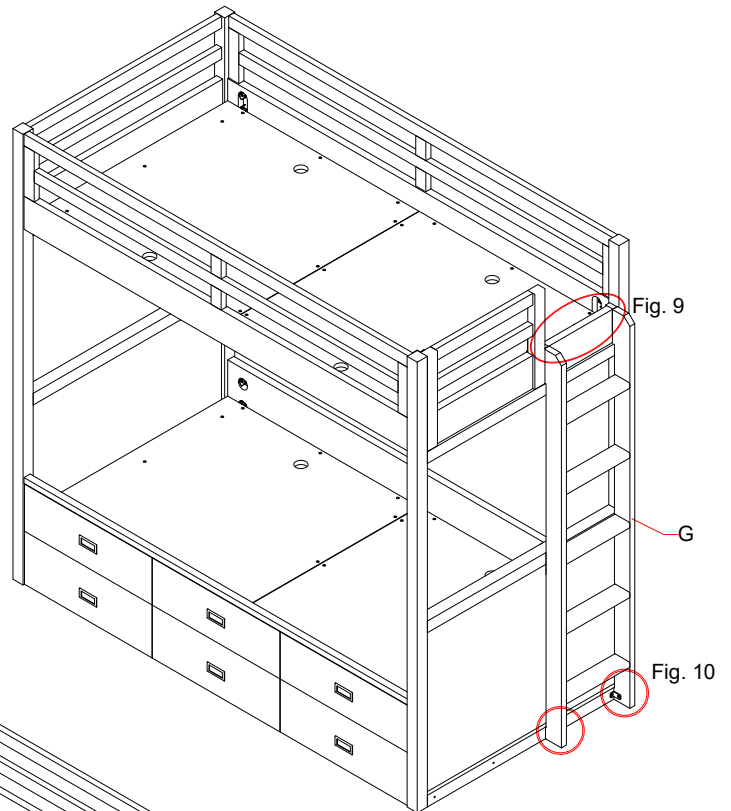
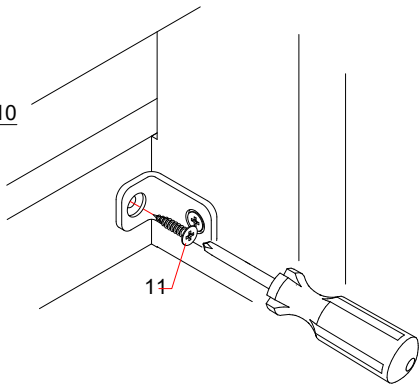


FIGURE 11

RH BABY & CHILD

AVALON BUNK BED TWIN OVER TWIN WITH TRUNDLE - ASSEMBLY INSTRUCTIONS

15. INSTALL BEDDING

BEDDING SPECIFICATION:

The following size mattress and foundation are specified for use with this bunk bed.

Mattress: 38"W x 75"L x 7"H on Twin upper bunk, and 38"W x 75"L x 10"H on Twin lower bunk.

****Note: TOP MATTRESS AND PLATFORM MUST NOT EXCEED 7" TOTAL THICKNESS**

Be sure to adhere to these BEDDING SPECIFICATIONS in order to avoid the possibility of falling or entrapment.
THESE SPECIFICATIONS MUST BE STRICTLY ADHERED TO!

UPPER BUNK MATTRESS DIAGRAM

